

10 Stickle Avenue  
Rockaway, NJ 07866  
(855)-722-6673  
[www.AmoreDesignFactory.com](http://www.AmoreDesignFactory.com)

## VENTILATION INSERTS & LINERS

*Specification Data Sheet*

# VENTILATION INSERT

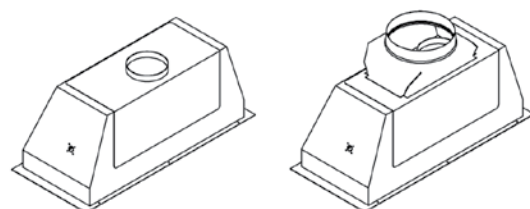
Custom specifications and unique size requirements are easily met with Amoré's line of range hood inserts, specially crafted for wall mount or ceiling installations. These top-of-the-line inserts have the most dependable kitchen ventilation and filtration technology found in the market, made to enhance efficiency and compatibility with the rest of your kitchen.

## Features:

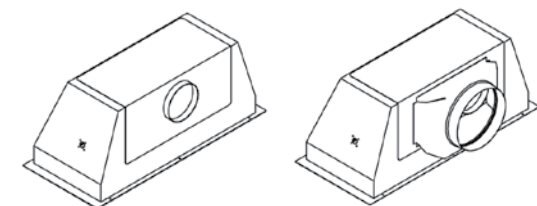
- Variable speed fan control
- Filter panel constructed from Grade 304 Stainless Steel
- Custom liners available
- Halogen lighting with dimmer switch controls (50W bulbs)
- Removable, dishwasher-safe stainless steel baffle filters
- Available in duct-free design
- Electrical connections on side of unit
- 15 Amp @ 120 Volts
- 600 & 1200 CFM insert have either top or rear exhaust locations (reversible on job site)
- Models featuring a 1200 CFM configuration require a transition that properly vents into a 10" round (reversible on job site)
- Large filter capture area
- For use with custom wood hoods and other materials
- We use the same high quality blowers that are used in our elite custom range hoods
- We manufacture custom inserts upon request

## Blower Options:

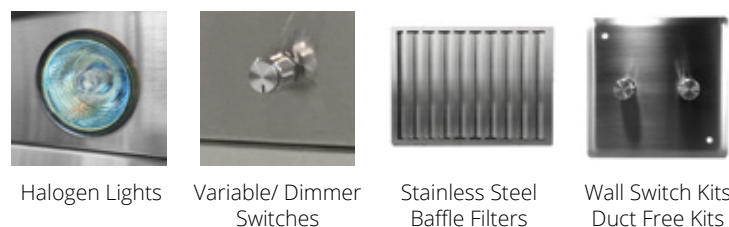
- Top Exhaust (600 or 1200 CFM)



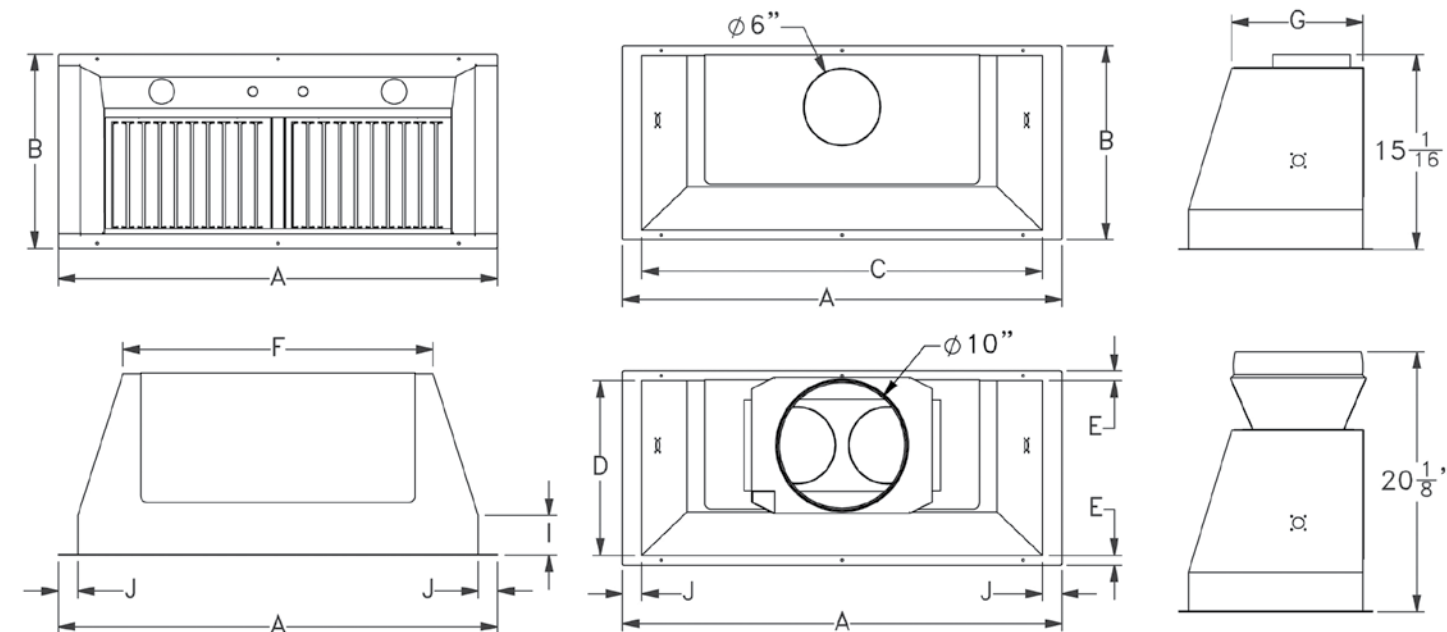
- Rear Exhaust (600 or 1200 CFM)



## Accessories:

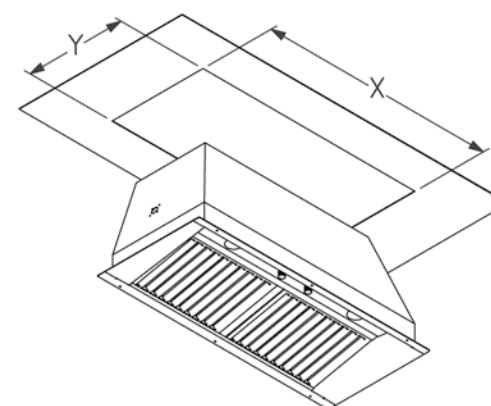


Halogen Lights    Variable/ Dimmer Switches    Stainless Steel Baffle Filters    Wall Switch Kits Duct Free Kits



## VENTILATION INSERT SPECIFICATIONS

	FO=EXTERNAL BLOWER	F6=600CFM INTERNAL BLOWER					F12=1200 CFM INTERNAL BLOWER				
		A	B	C	D	E	F	G	H	I	J
<b>15" DEPTH</b>	WMUI281514-F0/F6	28"	15"	25"	13.5"	.75"	18"	10"	14"	3"	1.5"
	WMUI341514-F0/F6/F12	34"	15"	31"	13.5"	.75"	24"	10"	14"	3"	1.5"
	WMUI401514-F0/F6/F12	40"	15"	37"	13.5"	.75"	30"	10"	14"	3"	1.5"
	WMUI461514-F0/F6/F12	46"	15"	43"	13.5"	.75"	36"	10"	14"	3"	1.5"
	WMUI521514-F0/F6/F12	52"	15"	49"	13.5"	.75"	42"	10"	14"	3"	1.5"
	WMUI581514-F0/F6/F12	58"	15"	55"	13.5"	.75"	48"	10"	14"	3"	1.5"
<b>18" DEPTH</b>	WMUI281814-F0/F6	28"	18"	25"	16.5"	.75"	17"	13.75"	14"	3"	1.5"
	WMUI341814-F0/F6/F12	34"	18"	31"	16.5"	.75"	23"	13.75"	14"	3"	1.5"
	WMUI401814-F0/F6/F12	40"	18"	37"	16.5"	.75"	29"	13.75"	14"	3"	1.5"
	WMUI461814-F0/F6/F12	46"	18"	43"	16.5"	.75"	35"	13.75"	14"	3"	1.5"
	WMUI521814-F0/F6/F12	52"	18"	49"	16.5"	.75"	41"	13.75"	14"	3"	1.5"
	WMUI581814-F0/F6/F12	58"	18"	55"	16.5"	.75"	47"	13.75"	14"	3"	1.5"



## CUT-OUT DIMENSIONS

15" DEPTH		18" DEPTH	
X	Y	X	Y
25 1/8"	13 5/8"	25 1/8"	16 5/8"
31 1/8"	13 5/8"	31 1/8"	16 5/8"
37 1/8"	13 5/8"	37 1/8"	16 5/8"
43 1/8"	13 5/8"	43 1/8"	16 5/8"
49 1/8"	13 5/8"	49 1/8"	16 5/8"
55 1/8"	13 5/8"	55 1/8"	16 5/8"

